

Product Brief

ET2600 Fully Integrated Power Module

10MHz Ultra-Compact High Performance 10A Voltage Regulator

ET2615, ET2617 and ET2610 products are fully integrated (including inductors and capacitors) power modules resulting in smallest footprint, enabling ease of PCB placement and routing while addressing demanding supply requirements in smartphones, tablets, servers and various other platforms.

Features

- High-performance 10MHz fully integrated DCDC power module with one or two independent outputs
- Three output configurations:
 - ET2610 - Buck0: 10A
 - ET2617 - Buck0+Buck1: 7.5A+2.5A
 - ET2615 - Buck0+Buck1: 5A+5A
- Fast Dynamic Voltage Control (DVC) and ON/OFF cycling
- Flat, high efficiency over wide load range
- Seamless, automatic, hysteresis-less PFM/PWM transitions

Specifications

Vin:	2.8-5.5V
Vout:	0.4-2.2V
Vout resolution:	3.125mV/6.25mV
I _{max} load:	10A/7.5A+2.5A/5A+5A
Vout inductor:	Integrated
Vout capacitor:	Integrated
Vout DVC slew rate:	150mV/us
I2C/SPI compatible interface	
T (height):	<1.0mm for smartphones
T (height):	<1.2mm for tablets
Size (footprint):	~18mm ²

System Benefits

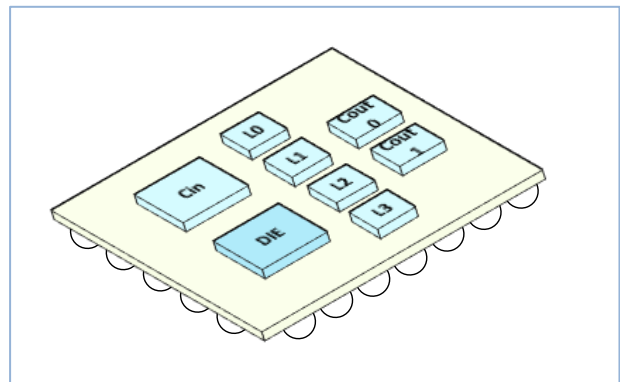
First to market fully integrated power modules delivering high performance while addressing cost and footprint.

- Smallest footprint and cubic volume
- Optimal solution for placement and routing as a single module
- Seamless PFM/PWM transition maximizes efficiency
- Fast DVC enables faster DVFS for SoC
- Power savings with fast on/off cycling

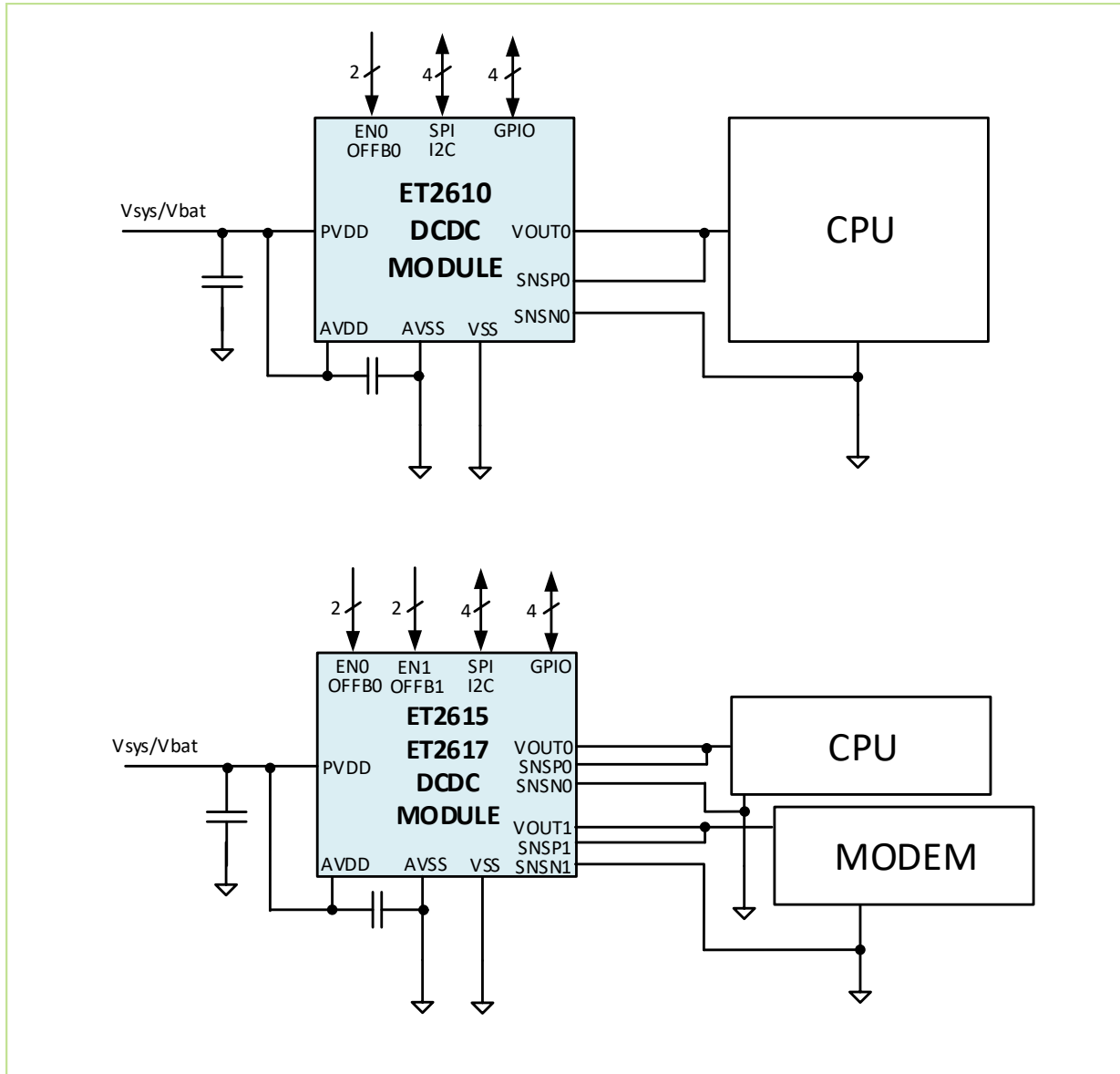
Applications

- Smartphones & Tablet PCs
- Ultrabook's, Servers, & FPGA designs
- Portable Navigation Devices & Media Players

ET2610/ET2615/ET2617



System Block Diagram



This is preliminary product information only and subject to change w/o any further notice. Please send emails to info@enduratechnologies.com for additional inquiries.